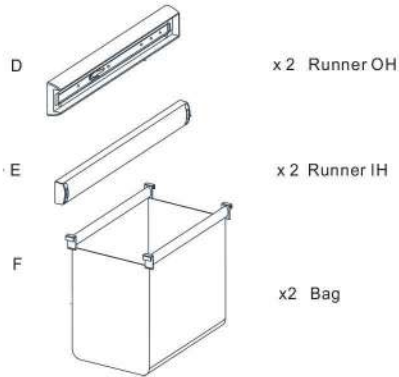
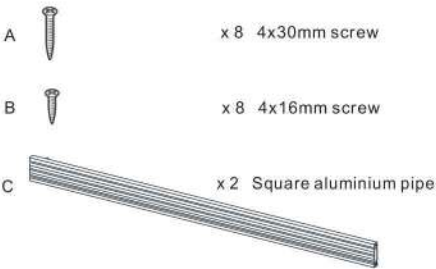


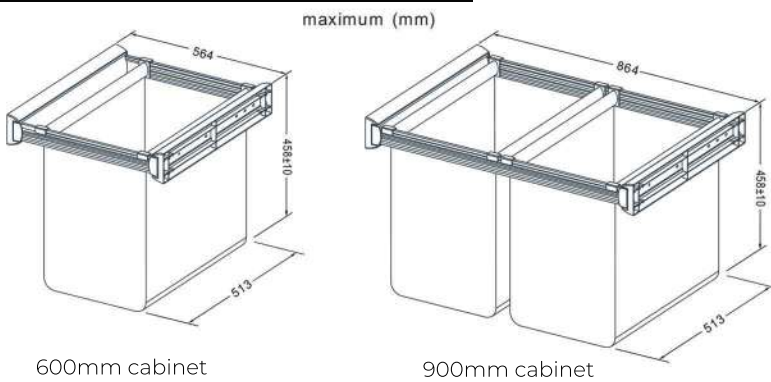
### PACKAGE INCLUSIONS



### TOOLS REQUIRED:

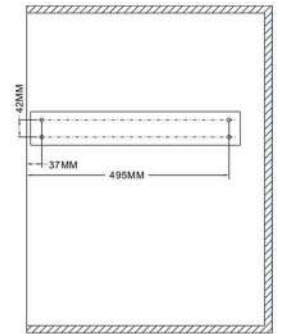


### PRODUCT DIMENSIONS



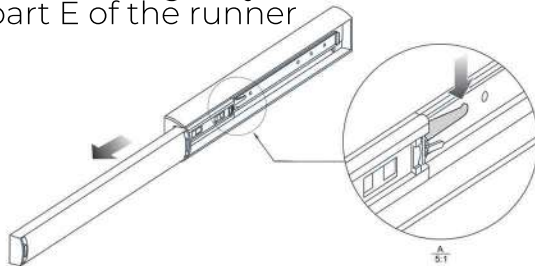
### STEP 1

Mark screw positions for the runners on both cabinet sides



### STEP 2

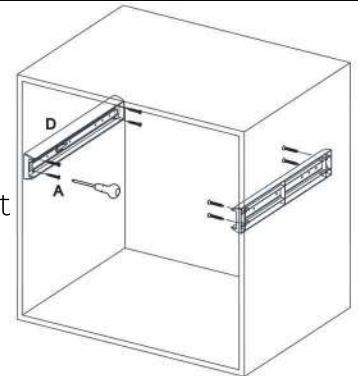
Press the locking lever to the other side gently to release the inner part E of the runner



### STEP 3

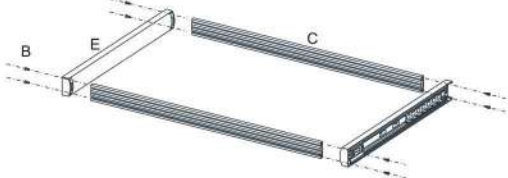
Fit runner D to cabinet sides using screw A.

Make sure to check direction and alignment first.

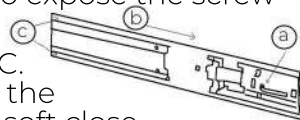


### STEP 4

Assemble the square aluminium pipe C to runner E using screw B.



- Push the little handle to release and retract the soft close mechanism on runner E.
- Push the track further to expose the screw hole on the other end.
- Screw runner E to pipe C.
- Pull the little handle on the soft close to re-attach the soft close



### STEP 5

Slide the inner runners E back to outer runner D until the locking lever securely locks the runner in place.

Assemble the bags (with plastic rod and brackets provided) and place onto the frame.

